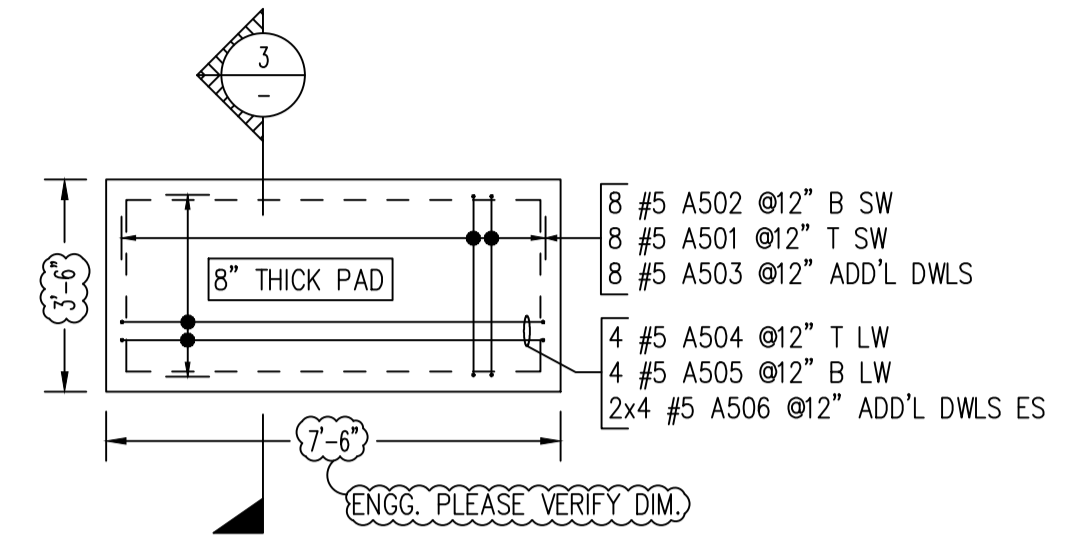
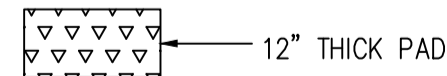
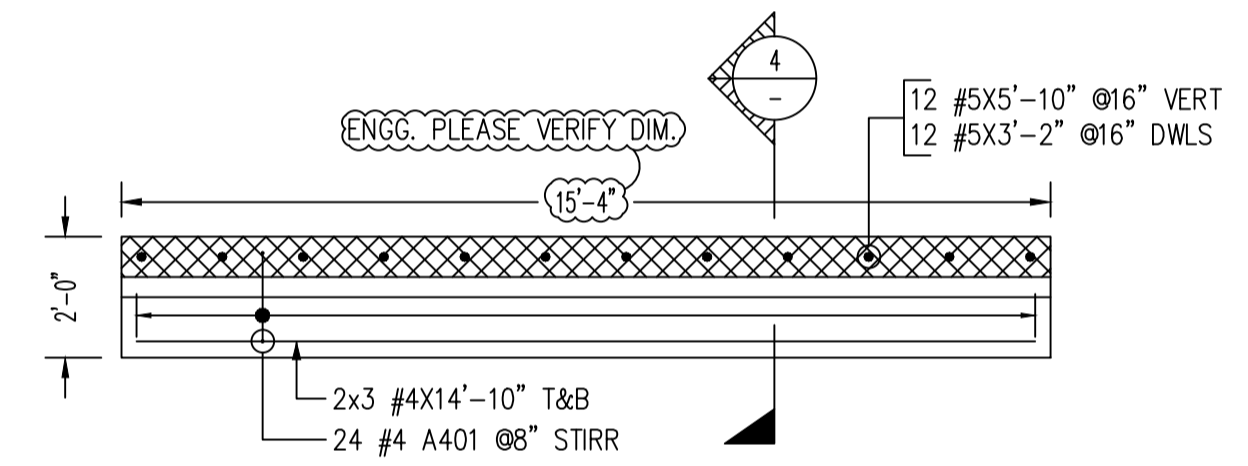


DETAIL - B
 (SHOWING THE GENERATOR PAD &
 TANK PAD REINFORCEMENT DETAILS)
 SCALE: 1/3" = 1'-0"
 REF: 1/F0-100

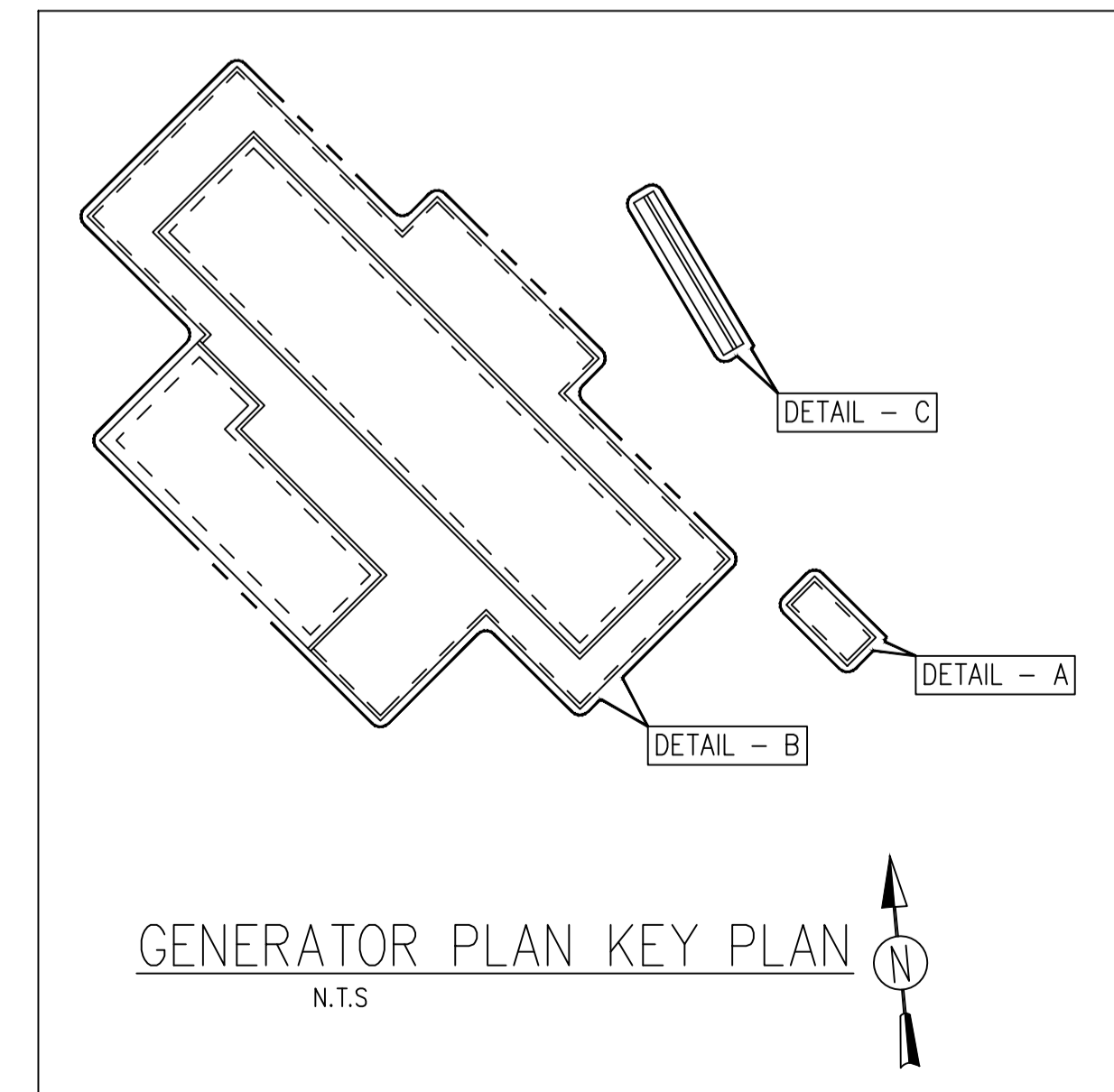
LEGEND: -



DETAIL - A
 (SHOWING THE CONNECTOR BOX
 PAD REINFORCEMENT DETAILS)
 SCALE: 1/3" = 1'-0"
 REF: 1/F0-100



DETAIL - C
 (SHOWING THE NEW CMU WALL
 AND FOOTING REINFORCEMENT DETAILS)
 SCALE: 1/3" = 1'-0"
 REF: 1/F0-100



GENERATOR PLAN KEY PLAN
 N.T.S.

ARCHITECT:
 TPD
 ARCHITECTURE,
 PLLC
 (214) 462-4200

ENGINEER:
 STRATFORD
 ENGINEERING
 (646) 723-1280

CONTRACTOR:

SUPPLIER:

**REBAR SHOP DRAWING
 (CONCRETE)**

SENT FOR APPROVAL 10-08-2024

R01

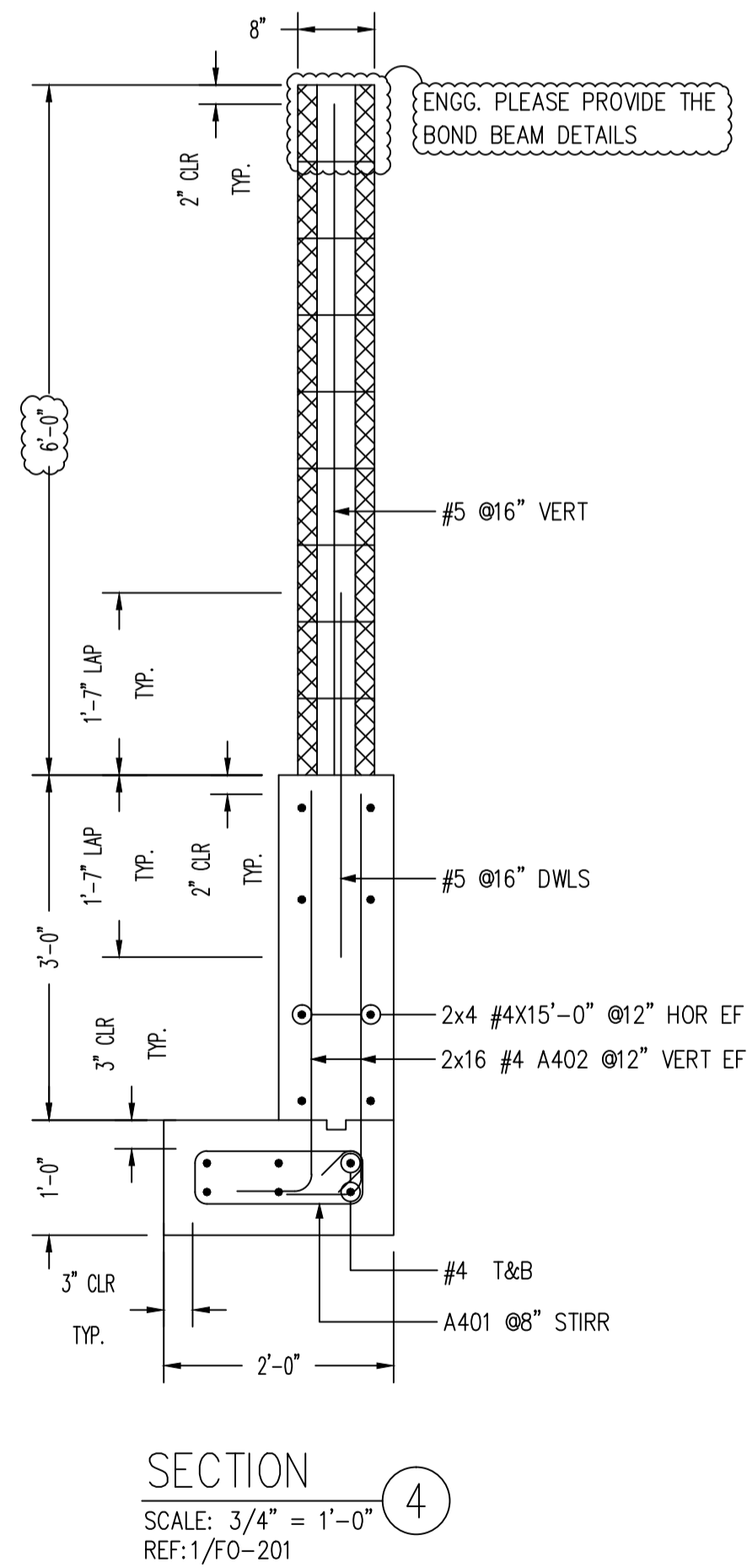
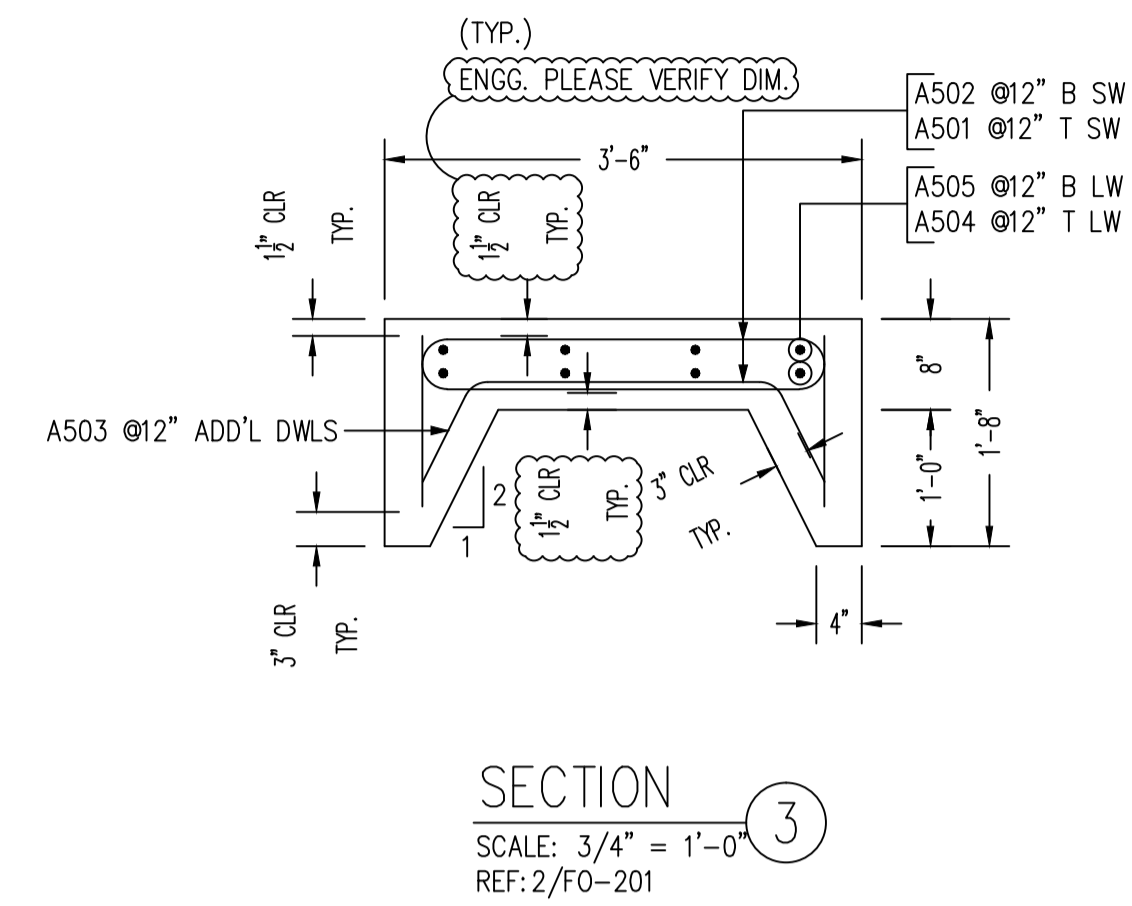
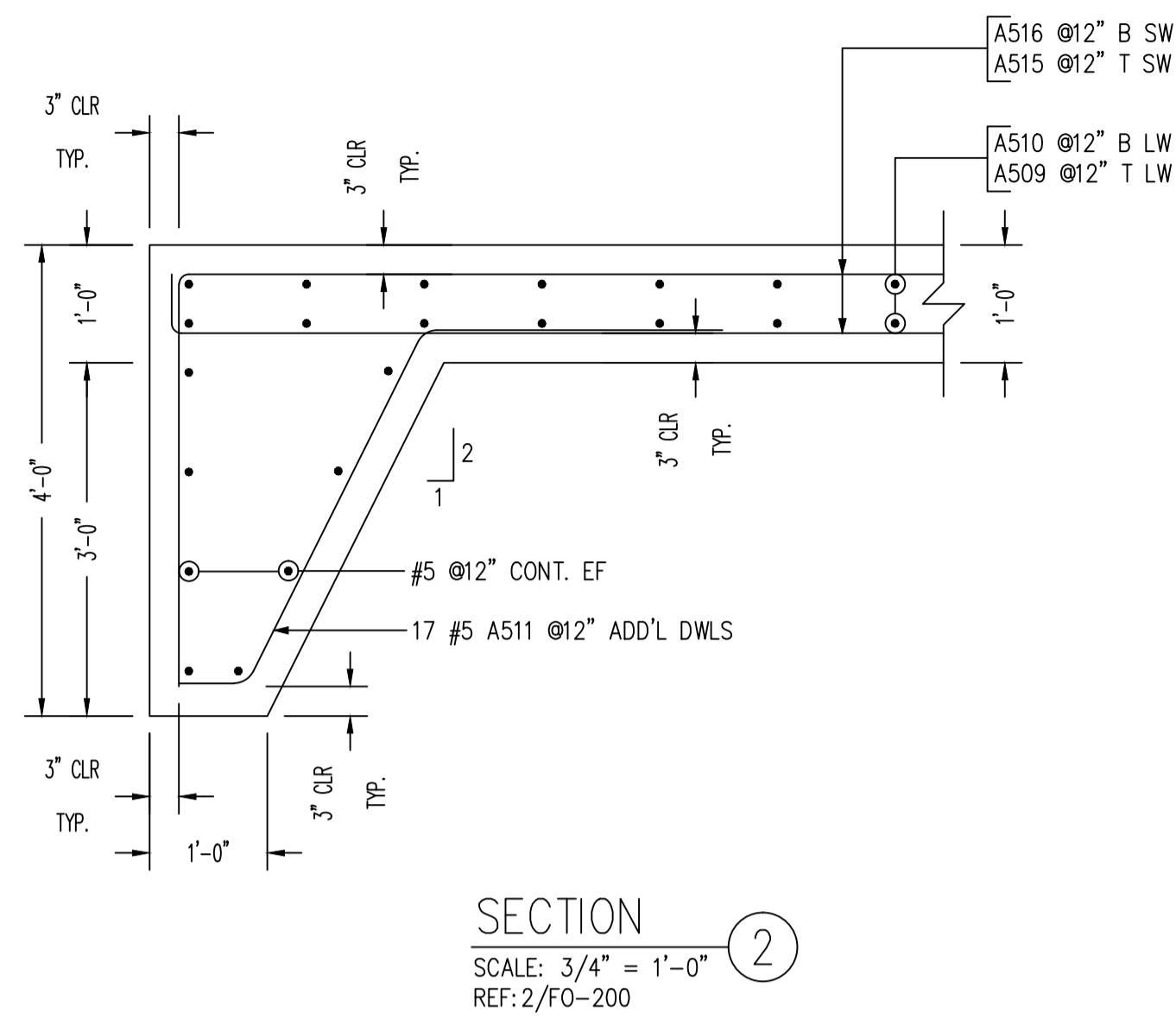
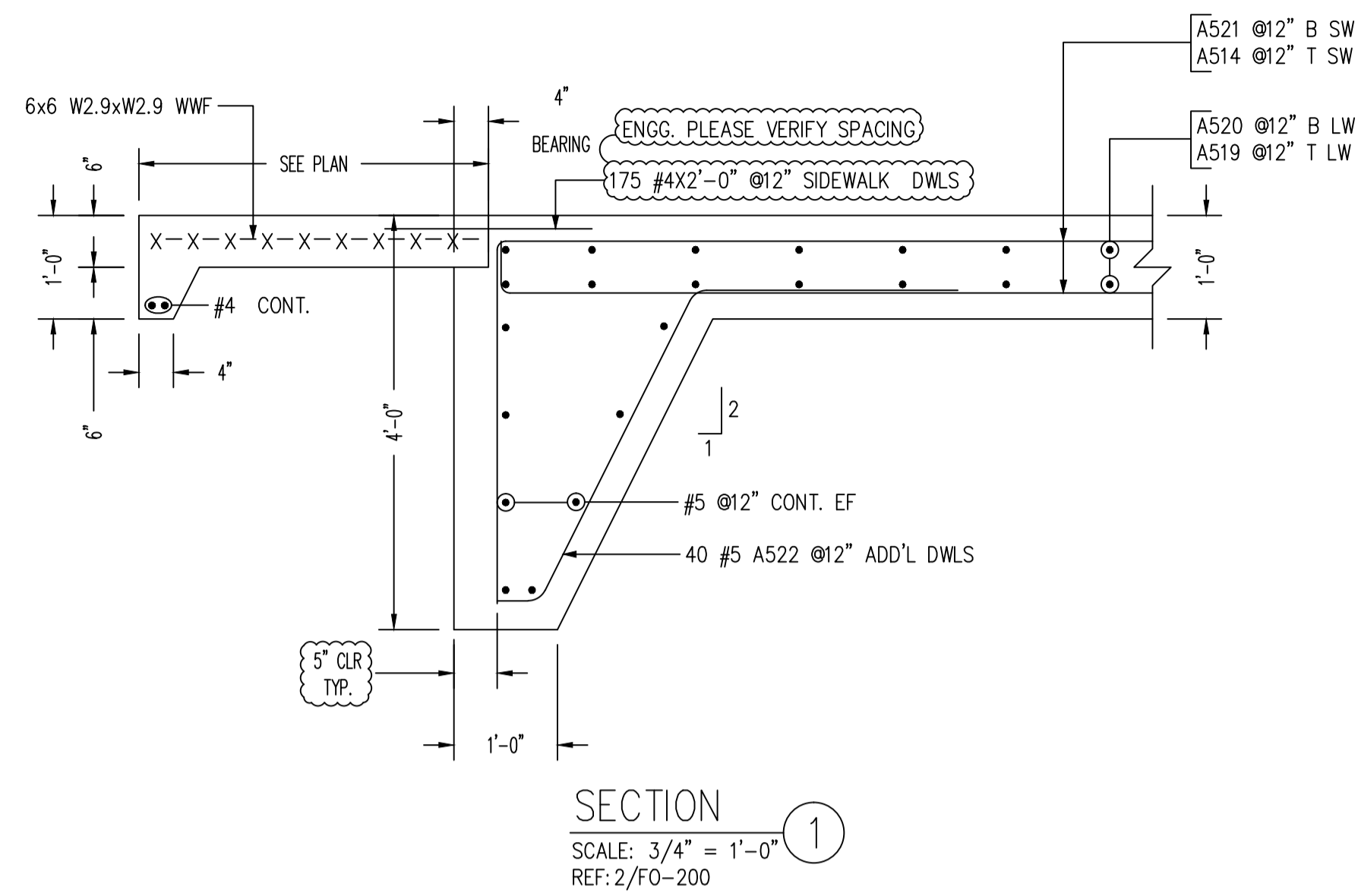
MASSAPEQUA CENTER
 GENERATOR

JOB N°: T22130 ADDRESS: 101 LOUDEN AVENUE,
 AMITYVILLE, NY 11701.

DETAILER: LK

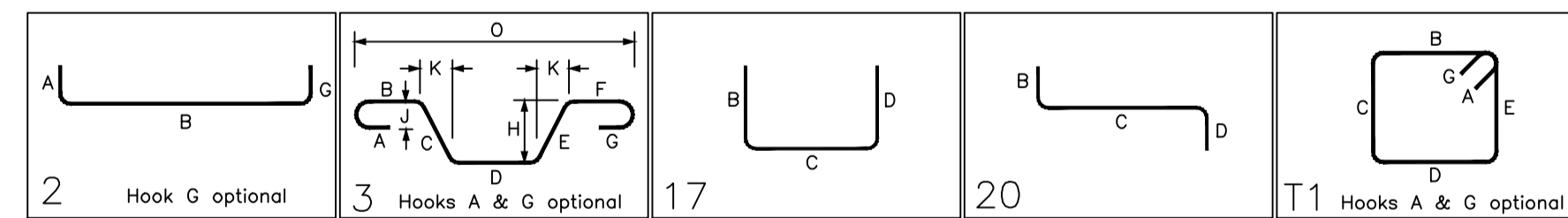
DATE: October 08, 2024 SCALE: AS NOTED

FILE NAME: GENERATOR PAD REINFORCEMENT DETAILS



Release Number: R01-R01A

Bar Mark	Qty	Size	Total Length	Type	BENDING DIMENSIONS													
					A'	B'	C'	D'	E'	F'	G'	H'	I'	J'	K'	L'		
A401	24	#4	4'-9"	T1	0'-4 1/2"	0'-6"	1'-6"	0'-6"	1'-6"	0'-4 1/2"								
A402	32	#4	4'-2"	2	0'-8"	3'-6"												
A403	12	#4	4'-2"	17		2'-1"	2'-1"											
A404	4	#4	8'-6"	20		2'-1"	4'-4"	2'-1"										
A405	1	#4	2'-7"	17		0'-6"	2'-1"											
A406	1	#4	2'-8"	17		0'-7"	2'-1"											
A501	8	#5	5'-6"	17		1'-3"	3'-0"	1'-3"										
A502	8	#5	3'-10"	17		0'-5"	3'-0"	0'-5"										
A503	8	#5	3'-10 1/2"	3		0'-9 1/2"	2'-3"	0'-9 1/2"		0'-9"		0'-3 1/2"	2'-10 1/2"					
A504	4	#5	9'-6"	17		1'-3"	7'-0"	1'-3"										
A505	4	#5	7'-10"	17		0'-5"	7'-0"	0'-5"										
A506	8	#5	3'-4 1/2"	3		2'-7"	0'-9 1/2"			0'-9"		0'-3 1/2"	2'-10 1/2"					
A507	64	#5	5'-2"	17		2'-7"	2'-7"											
A508	8	#5	8'-0"	20		2'-7"	2'-10"	2'-7"										
A509	10	#5	32'-4"	17		3'-6"	25'-4"	3'-6"										
A510	10	#5	26'-4"	17		0'-6"	25'-4"	0'-6"										
A511	17	#5	6'-5 1/2"	3		2'-6 1/2"	3'-4 1/2"	0'-7"		3'-0 1/2"		1'-5 1/2"	4'-7"					
A512	3	#5	14'-5"	17		3'-6"	7'-5"	3'-6"										
A513	3	#5	8'-5"	17		0'-6"	7'-5"	0'-6"										
A514	61	#5	18'-6"	17		3'-6"	11'-6"	3'-6"										
A515	19	#5	15'-6"	17		3'-6"	8'-8"	3'-6"										
A516	19	#5	9'-6"	17		0'-6"	8'-8"	0'-6"										
A517	13	#5	40'-0"	17		3'-6"	36'-6"											
A518	13	#5	40'-0"	17		0'-6"	39'-6"											
A519	13	#5	21'-4"	17		3'-6"	17'-10"											
A520	13	#5	15'-7"	17		0'-6"	15'-1"											
A521	61	#5	12'-6"	17		0'-6"	11'-6"	0'-6"				3'-0 1/2"	1'-5 1/2"	4'-5"				
A522	40	#5	6'-3 1/2"	3		2'-6 1/2"	3'-4 1/2"	0'-5"										



LAP SCHEDULE

SIZE	4000 PSI	
	TOP	OTHERS
#3	24"	19"
#4	32"	25"
#5	40"	31"
#6	48"	37"
#7	70"	54"
#8	80"	62"
#9	91"	70"
#10	102"	79"
#11	113"	87"

MASONRY LAP

SIZE	30 Ø LAP
#3	12"
#4	15"
#5	19"
#6	23"

ABBREVIATIONS

Top	T
Bottom	B
Continuous	Cont.
Corner Bar	Cor.
Horizontal	Hor.
Dowel	Dwl.
Dowel/Vertical	D/V
Long way Bar	LW
Short way Bar	SW
Stirrups	Stirr.

ALL BARS IN THIS DRAWING
ASTM A615 GRADE 60
BLACK UNCOATED

ARCHITECT:
TPD
ARCHITECTURE,
PLLC
(214) 462-4200

ENGINEER:
STRATFORD
ENGINEERING
(646) 723-1280

CONTRACTOR:

SUPPLIER:

REBAR SHOP DRAWING
(CONCRETE)

SENT FOR APPROVAL 10-08-2024

R01A

MASSAPEQUA CENTER
GENERATOR

JOB No: T22130 ADDRESS: 101 LOUDEN AVENUE, AMITYVILLE, NY 11701.
DETAILER: LK
DATE: October 08, 2024 SCALE: AS NOTED
FILE NAME: GENETATOR PAD REINFORCEMENT DETAILS