

SPECIFICATIONS

FINISHES

HARDWARE

HINGES = HAGER BB1279 (US4)
 PUSH PLATE = IVES 8200 4x16 (US4)
 DOOR PULL = IVES 8105-6 (US4)
 KICK PLATE = IVES 8400 (US4)
 DOOR CLOSER = LCN 4040XP (REG BRASS US4)

EXCLUSIONS

APPROVED / NO CHANGES
 APPROVED / AS NOTED
 REVISE AS NOTED / RESUBMIT

SIGNATURE _____
 DATE _____

REVISIONS

#	DATE	DESCRIPTION	BY	OBS

OPEN APPROVED, THIS DRAWING
 SUPERSEDES ALL PREVIOUS
 ARCHITECTURAL & SHOP DRAWINGS

APPROVED BY: _____

SIGNATURE: _____
 DATE _____

ABBREVIATIONS

AFF = ABOVE FIN FLOOR	FE = FINISH END
BSE = BASE	FF = FACE FRAME
BCK = BACK	FO = FINISHED OPENING
CABT = CABINET	FP = FIXED PANEL
CAS = CASING	ID = INNER DIMENSION
CL = CLEAR OPENING	OD = OUTER DIMENSION
CTOP = COUNTER TOP	PNL = PANEL
DB = DRAWER BOX	RO = ROUGH OPENING
DF = DRAWER FACE	POT = PULL OUT TRAY
VF = VERIFY IN FIELD	REM = REMOVABLE PANEL
FD = FIELD DIMENSION	SHF = ADJ SHELF

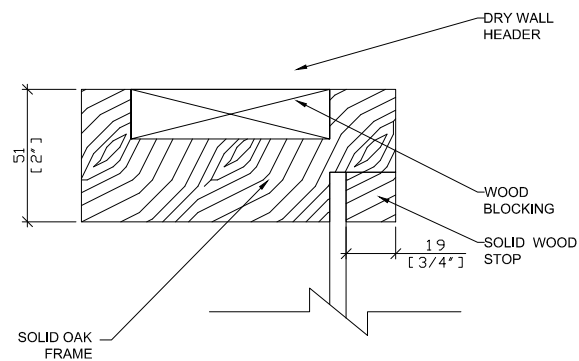
PROJECT :
 LEARCO HOSPITALITY

LOCATION :
 1133 W RANDOLPH STREET, CHICAGO, IL

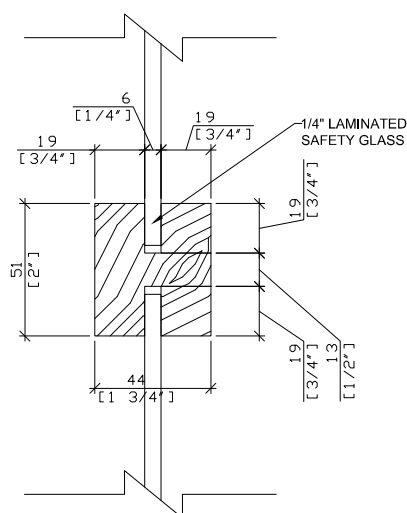
ARC / DESN :

ENTRY VESTIBULE-
 DETAIL

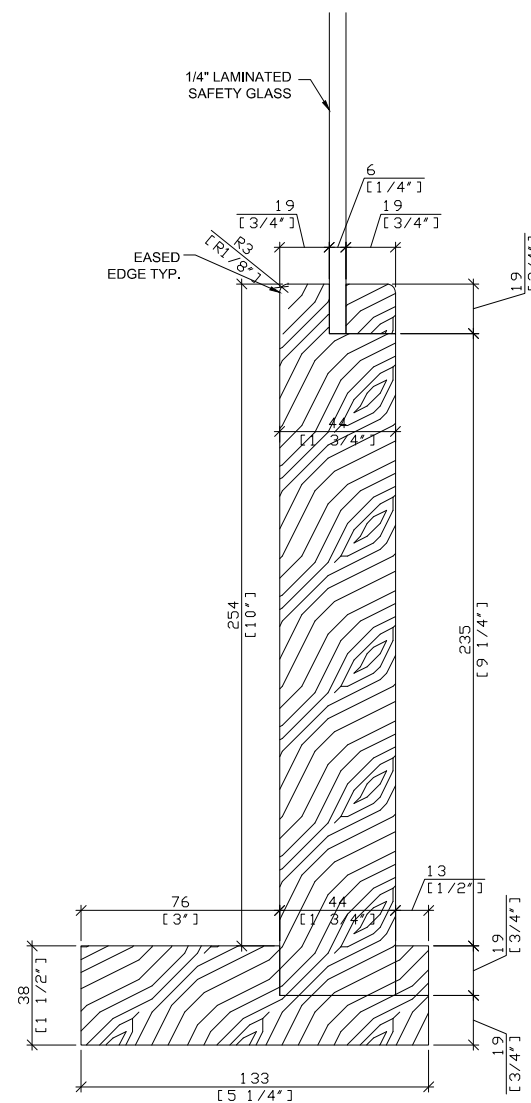
DWN BY:	SCALE : AS NOTED	SHEET # 4.0
DWN BY:		



1
4.0
HEADER DETAIL
 SCALE - 1:2



2
4.0
DIVIDED LITE DETAIL
 SCALE - 1:2



3
4.0
BOTTOM SASH DETAIL
 SCALE - 1:2